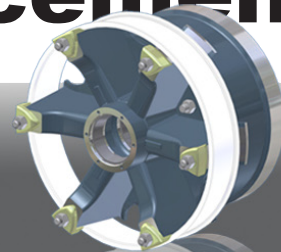


# New Product Announcement

## KIC 6-SPOKE 20"



KIC Holdings Inc. announces the newest addition to its heavy duty trailer spoke wheel line.

Made from the highest quality ductile iron, the KIC 76207 series rounds out the full line of KIC cast-spoke wheels.

Precision casting and CNC machining ensure that the KIC line of hubs and cast spoke wheels mount easily and run true.

With some of the best standards in the industry, KIC has proven itself since 1973 as a supplier to major trailer and suspension Original Equipment Manufacturers.

Call our top-rated customer service department and find out how KIC can become one of your "just-in-time" suppliers.

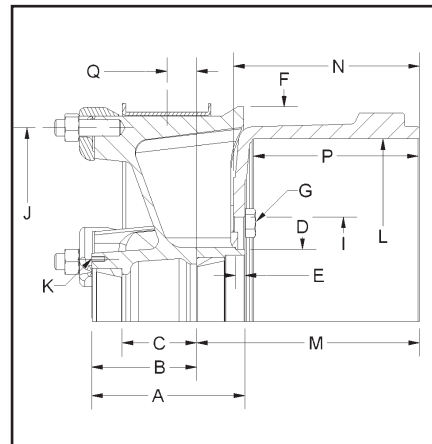
**1-800-488-5422**  
**www.kic-group.com**

### Ductile Iron 6-spoke 20"

SAE Spindle Designation: N  
 Inner Bearing Cup: HM218210  
 Inner Bearing Cone: HM218248  
 Outer Bearing Cup: HM212011  
 Outer Bearing Cone: HM212049

#### Spoke Wheel Specifications

Item	Dimensions (in)
A: Overall Length	6.93
B: Inner Cup to Mtg. Face	4.74
C: Distance between cups	3.34
D: Tone Ring Bore Dia	6.50
E: Tone Ring Bore Depth	0.44
J: Bolt Circle	17.50
F: Outside Dia	19.37
Q: Cup to C/L Wheel track	1.36
K: Hubcap Hole Pattern	6 Holes 5/16"-18 UNC, 5.50 Bolt Circle



#### Assembly Options

Assembly PN	Drum Part Number				G		M	Assy Weight
	L	P	I	N	Rim Stud PN	Stand Out	Cup to drum	
Description	Brake Face Dia	Brake Width	Hub Pilot	Overall Depth	Thread		O Cup Face to Mtg. Face	
<b>001-76207</b>	52230-10				001-00114		10.07	199
6-Spoke x 20" 16.5 x 7" Brake Drum	16.50	7.50	9.44	8.39	3/4"-10	2.16	N/A	

#### Option "T" - ABS Rings

Description	Part Number	Pitch Diameter
100-Tooth Tone Ring	001-03237	6.77

#### Spoke Wheel Fasteners & Parts

Description	Part Number	Qty.
Drum Bolt PN	001-00151	6
Locknut PN	001-00152	6
Rim Clamp PN	001-00123	6
Rim Stud PN	001-00114	6
Rim Nut PN	001-00075	6
Spacer PN	001-04020	

**001-76207H\***  
**in stock now**  
 \*Includes spacer bands & clamps



Vancouver, Washington, USA