



## KIC Hub Warranty Claim Form

Please complete a separate form for each part number.  
 Return to KIC: email [cecilia.williams@kicintl.com](mailto:cecilia.williams@kicintl.com), Fax: 360-696-3132

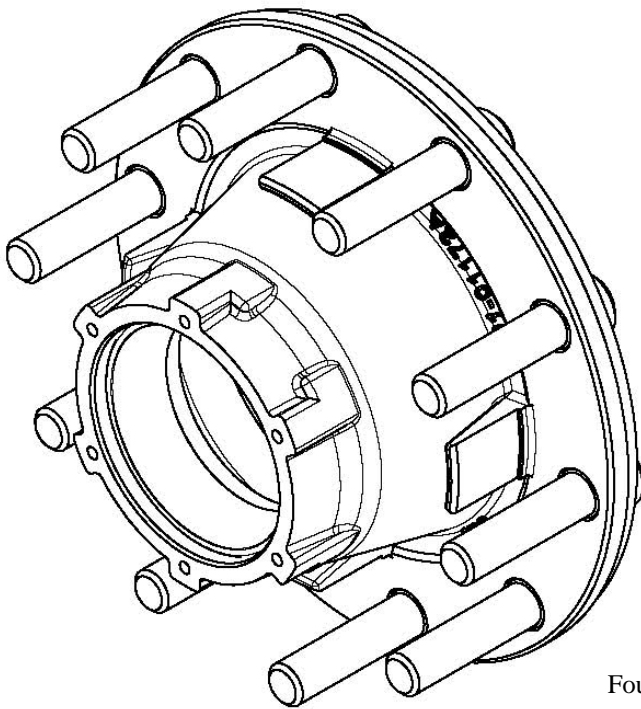
Today's Date		Warranty Claim ID	
Contact Name		Indicate Desired Remedy Below	
Contact Telephone			
Company Address			
Hub PN		Quantity of Hubs Involved:	

Please indicate type of damage and note on diagram where damage has occurred.  
 For reference, you can refer to TMC RP644 Wheel End Conditions Analysis Guide.

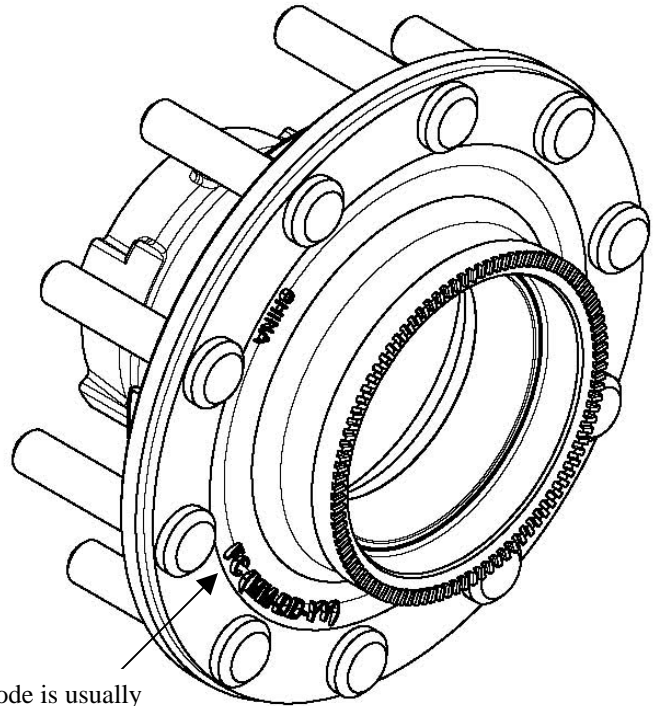
Cracking Hub <input type="checkbox"/>	Bearing failure <input type="checkbox"/>	ABS Ring Damage <input type="checkbox"/>	Damaged Mounting Face <input type="checkbox"/>
Lubricant Leak <input type="checkbox"/>	Damaged Wheel Pilot <input type="checkbox"/>	Damaged Drum Pilot <input type="checkbox"/>	Loose Bearing Cup <input type="checkbox"/>
Spoke: 28° ramp failure <input type="checkbox"/>	Spoke: Rim Slip <input type="checkbox"/>	Spoke: Clamp face damage <input type="checkbox"/>	Loose Stud(s) <input type="checkbox"/>

Other \_\_\_\_\_

Foundry Code <b>REQUIRED INFORMATION</b>	In Service Date & Mileage <b>REQUIRED INFORMATION</b>
---	--



**Outboard Side**



**Inboard Side**

Foundry code is usually on the inboard side  
 Example: KZ 12-31-06